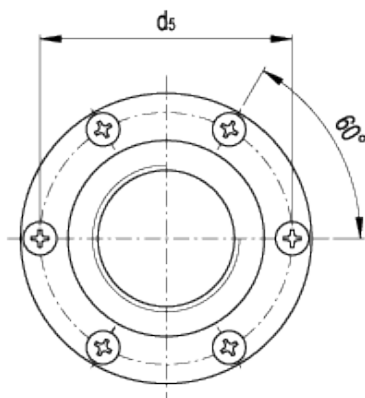
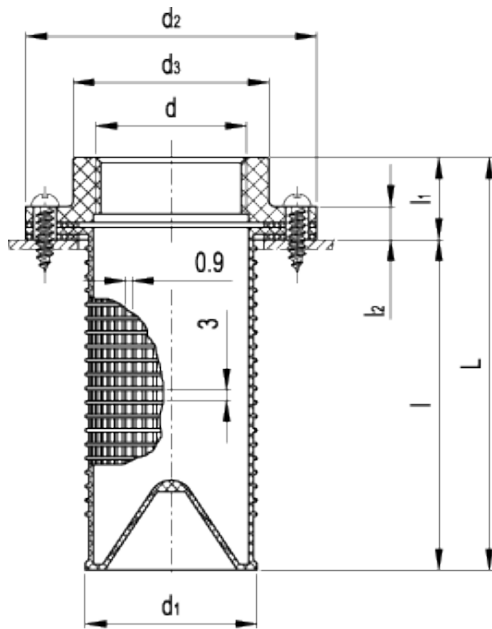


# FRF + C

Flange for threaded cap



ELESA Original design



## technical informations

### Flange

Glass-fibre reinforced polyamide based (PA) technopolymer with threaded connector. Resistant to solvents, oils, greases and other chemical agents.

### Basket

Polypropylene based (PP) technopolymer. Resistant to solvents, oils, greases and other chemical agents.

### Colour

Black, matte finish.

### Flat gaskets

Cork impregnated MGS based rubber.

### Assembly

By means of six zinc-plated steel self-tapping screws TC-N10 ( $\varnothing$  4.8x19) UNI 6951-DIN 7971, included in the supply.

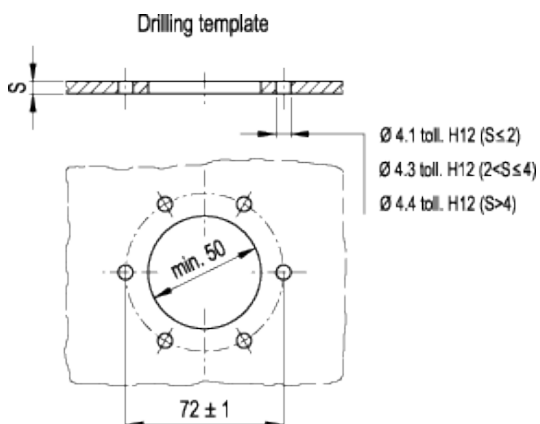
### Special executions on request (For sufficient quantities)

Threaded flange without basket (execution FRF).

### Note

The breather cap to be coupled to the flange is not included.

Breather caps type [SFN](#), [SFP](#), [SFW](#) can be used depending on the customer's requirements.



Standard Elements		Main dimensions									Weight
Code	Description	d	L	d <sub>1</sub>	d <sub>2</sub>	d <sub>3</sub>	d <sub>5</sub>	l	l <sub>1</sub>	l <sub>2</sub>	g
9101	FRF+C	G 1/4	118	49	83	56	72	93.5	24.5	10.5	105

This product had the following design awards:



ELESA and GANTER models all rights reserved in accordance with the law. Always mention the source when reproducing our drawings.

**STANDARD MACHINE ELEMENTS WORLDWIDE**